



SINCE

1886

INSTALLATION INSTRUCTIONS FOR HUNTER DUAL MOUNT LIGHT FIXTURES MODELS 28550 & 28551

IMPORTANT NOTE: READ AND SAVE THESE INSTRUCTIONS!

NOTE: This is a Dual Purpose Light kit that allows the user to install the light fixture to the ceiling, as you would any light fixture. It also has the feature of being convertible to mount directly to a Hunter ceiling fan. Please follow the directions below that pertain to the type of installation this light fixture will be installed in.

CEILING LIGHT FIXTURE SECTION:

CAUTIONS

- Read entire text carefully before beginning installation and save these instructions.
- Should you desire to change the unit over to a different style mounting, you will need to follow these instructions to convert from one installation style to another.

WARNING

- To avoid possible electrical shock, before installing light fixtures, disconnect power by turning off the circuit breakers both to the outlet box and to its associated wall switch location. If you cannot lock the circuit breakers in the off position, securely fasten a prominent warning device, such as a tag, to the service panel.
- This fixture must be mounted to an approved outlet box that is directly supported by the building structure.
- All wiring must be in accordance with national and local electrical codes and ANSI/NFPA 70. If you are unfamiliar with wiring, you should use a qualified electrician.

STEP 1: Site Preparation - Ceiling Light

1. If you are replacing an existing light fixture, disconnect and remove the old fixture and mounting bracket, leaving the wires exposed coming from the outlet box.
2. Locate and thread the two 8-32" screws, supplied in the sack parts, into the hanger bracket threaded holes as shown in Figure 1.
3. Locate and install the two 8-32" nuts on the 8-32" screws and tighten until snug against the hanger bracket.

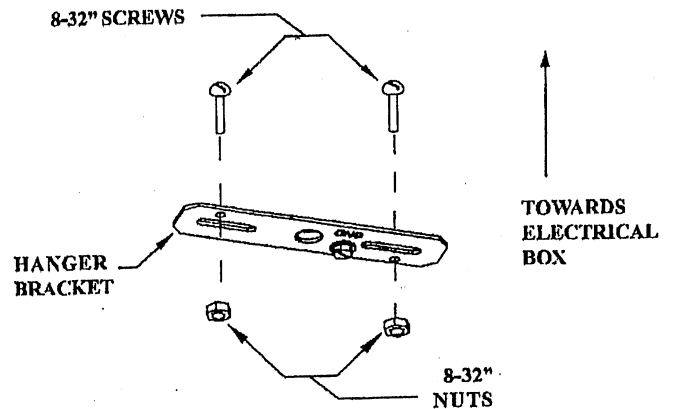


FIGURE 1

4. Using the two screws supplied with the outlet box, mount the hanger bracket to the outlet box, as shown in Figure 2.

Warning: Failure to ensure that all fasteners are secure could result in the fixture falling.

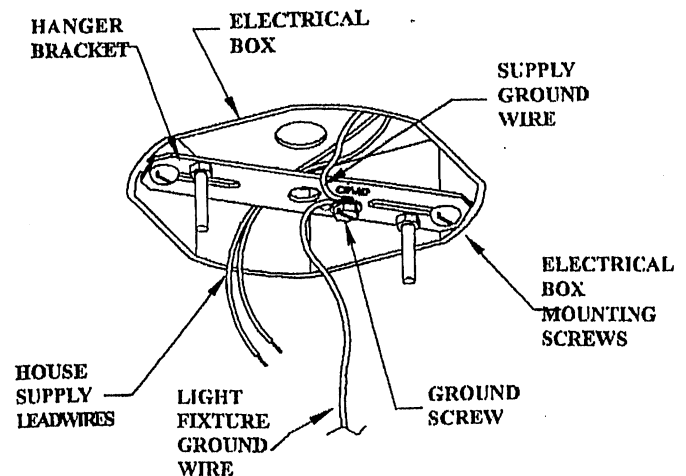


FIGURE 2

STEP 2: Wiring the Fixture - Ceiling Light

NOTE: Refer to Figures 2 and 3 for the steps below.

1. Locate the green ground wire from the light fixture and the supply ground wire coming out of the electrical box.
2. Connect both ground wires underneath the green ground screw on the hanger bracket.
3. Using approved wire connectors:
 - * Connect the white wire from the light fixture to the white supply wire coming out of the ceiling; and
 - * Connect the black wire from the light fixture to the black supply wire coming out of the ceiling.
4. Spread the electrical splices so that the black wires are on one side of the outlet box and the white wires are on the other side.

Be sure no bare wire or wire strands are visible after making connections.

STEP 3: Fixture Assembly - Ceiling Light

NOTE: Refer to Figure 3 for the steps below.

1. Assemble the light fixture to the hanger bracket by placing the holes in the canopy over the two 8-32" screws protruding from the hanger bracket.
2. While holding the canopy against the ceiling, install the two decorative nuts over the two 8-32" screws and tighten securely.

NOTE: It may be necessary to adjust the screw length from the hanger bracket by turning the screws out of the bracket. If this is necessary, reassemble the fixture by completing Step 3 sub-steps 1 and 2 above.

3. Install two 60 watt maximum type A-19 bulbs into the lamp sockets.

NOTE: Type A-19 bulbs are Standard Shape, Standard Size Household Medium Base Incandescent Bulbs.
CAUTION - RISK OF FIRE, USE MAXIMUM 60 WATT TYPE A-19 LAMPS.

STEP 4: Final Assembly - Ceiling Light

NOTE: Refer to Figures 3 and 4 for the steps below.

1. Temporarily turn the power back on at the electrical panel.

NOTE: If the bulbs do not light, pull the chain, coming out of the bottom of the light kit, once. The lights should now be on.

2. With the lights on, go to the electrical panel and turn the power back off.
3. Remove the lower chain extension from the light fixture by unhooking it from the breakaway connector.

NOTE: Do not discard the chain extension you just removed as it will be needed if the fixture is converted in the future.

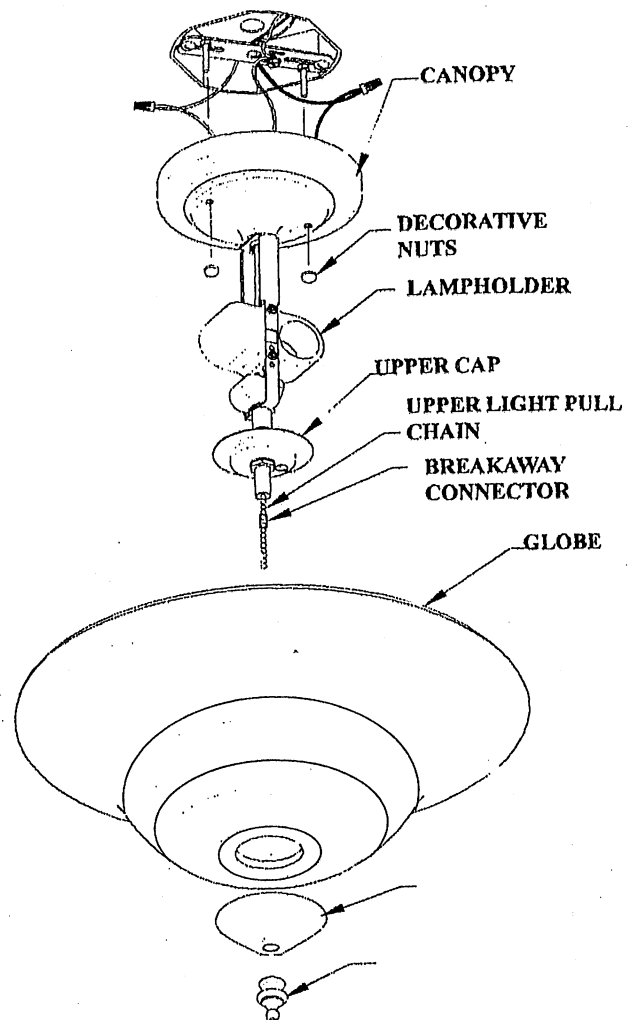


FIGURE 3

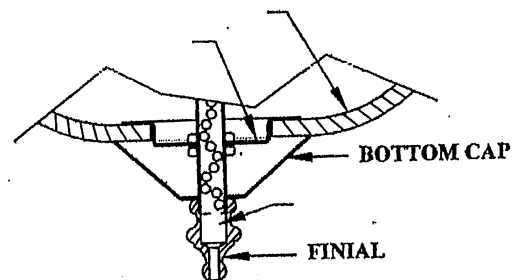


FIGURE 4

4. Leave the breakaway connector in place on the upper chain.
5. Place the glass globe over the pipe nipple and up against the upper cap.
6. Place the lower cap, without the side grommetted hole, over the nipple and up against the glass.
7. Place the finial over the threaded pipe and, while letting the chain and plastic connector retract into the pipe, tighten the finial securely. Refer to Figure 4 for further clarification.
8. Turn the power back on at the electrical panel.

CEILING FAN LIGHT KIT SECTION:

- Read entire text carefully before beginning installation and save these instructions.
- Should you desire to change the unit over to a different style mounting, you will need to follow these instructions to convert from one installation style to another.
- To reduce the risk of electrical shock, install this light kit only on listed Hunter ceiling fans type A through Z.

- To avoid possible electrical shock, before installing light fixtures, disconnect power by turning off the circuit breakers both to the outlet box and to its associated wall switch location. If you cannot lock the circuit breakers in the off position, securely fasten a prominent warning device, such as a tag, to the service panel.
- This fixture must be mounted to an approved outlet box that is directly supported by the building structure.
- All wiring must be in accordance with national and local electrical codes and ANSI/NFPA 70. If you are unfamiliar with wiring, you should use a qualified electrician.

STEP 1: Fixture Conversion - Ceiling Fan Light Kit

NOTE: Refer to Figure 3 for the steps below.

1. To install the light fixture in the ceiling fan installation, you must first remove the canopy that comes installed on the ceiling light fixture and replace it with the fan mounting plate.
2. Loosen the nut inside the canopy and remove the nut, the lock washer and the ground wire.
3. Locate and install the fan mounting plate over the pipe nipple as shown in Figure 3.
4. Install the lock washer and nut and tighten securely.

NOTE: It is not necessary to install the ground wire onto the fan light kit, as it is not used for grounding in the fan installation.

Be sure no bare wire or wire strands are visible after making connections.

STEP 2: Wiring the Light Kit - Ceiling Fan

1. Remove the bottom switch housing cover from the ceiling fan.

Note: If your Hunter fan has a remote control or a removable switch housing, follow the supplemental instructions supplied with this light kit for that installation.

2. Using approved wire connectors:
 - * Connect the white wire from the light fixture to the white supply wire coming out of the ceiling fan; and
 - * Connect the black wire from the light fixture to the black with white striped wire coming out of the ceiling fan.
3. Spread the electrical splices so that the black wires are on one side of the outlet box and the white wires are on the other side.

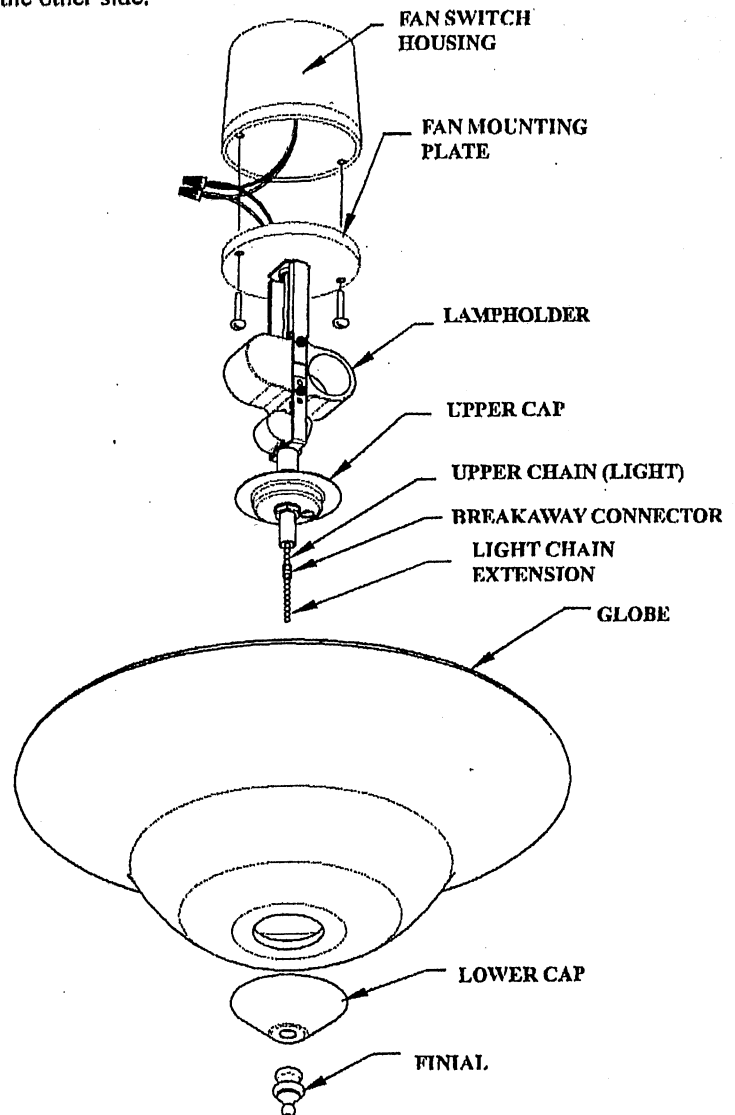


FIGURE 5

STEP 3: Mounting the Light Kit - Ceiling Fan
IMPORTANT INSTALLATION INFORMATION: Before mounting the light kit to your ceiling fan, locate and install the lockwashers included in the light kit sack parts onto the screws identified below in Sub-step 2.

1. Align the holes in the fan mounting plate with the mounting holes in the switch housing.
2. Attach the light kit to the switch housing, using the screws provided with the fan. Tighten securely.

Warning: Failure to ensure that all fasteners are secure could result in the switch housing/light kit assembly falling.

3. Install two 60 watt maximum type A-19 bulbs into the lamp sockets.

NOTE: Type A-19 bulbs are Standard Shape, Standard Size Household Medium Base Incandescent Bulbs.

CAUTION - RISK OF FIRE, USE MAXIMUM 60 WATT TYPE A-19 LAMPS.

STEP 4: Light Kit Final Assembly - Ceiling Fan

NOTE: Refer to Figures 5 and 6 for the steps below.

1. Locate the pull chain extension in the sack parts.
2. Locate the pull chain and breakaway connector for the fan speed switch on the fan switch housing and attach the extension from the step above.
3. Direct the fan switch pull chain through the grommetted hole in the upper cap.
4. Remove the lower chain and breakaway connector from the light kit by unhooking the breakaway connector and chain from the light upper pull chain.

NOTE: Do not discard the breakaway connector or the light chain extension as you will need them to complete assembly.

5. Place the glass globe over the threaded pipe nipple and up against the upper cap.
6. Align the grommetted hole on the lower cap with the grommetted hole on the upper cap and thread the fan pull chain through the grommetted holes.
7. Place the lower cap with the grommetted hole over the threaded pipe nipple and up against the glass.

NOTE: To ensure proper operation, make sure that the fan pull chain extension does not bind between the lower and upper cap and the glass globe.

8. Place the finial over the threaded pipe and thread the light pull chain through the finial.
9. Tighten the finial securely.
10. Reattach the breakaway connector and the light chain extension to the light pull chain.
11. Return to the fan installation instructions and follow those instructions for the completion of the fan installation.

If you have any problems or questions please contact us via phone at 901-248-2222 or visit us on the web at www.Hunterfan.com

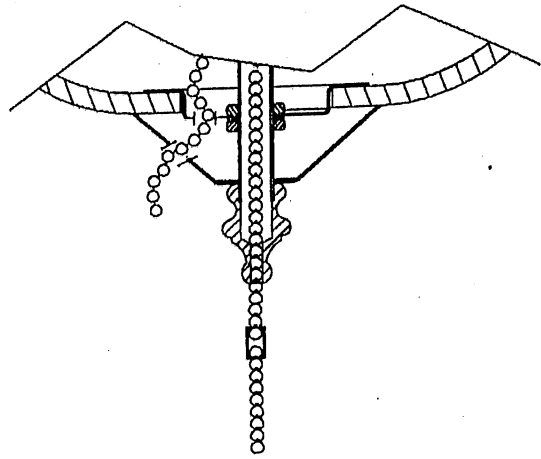


FIGURE 6

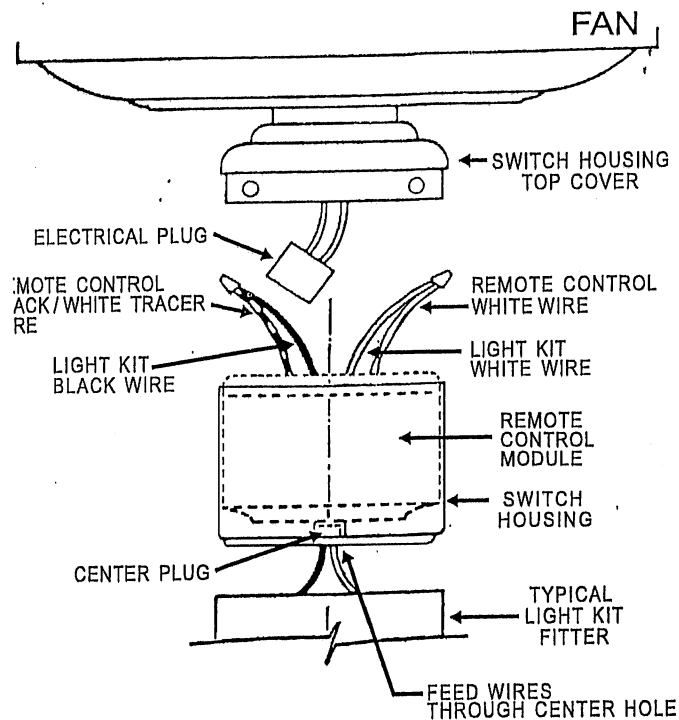


Hunter Fan Company
2500 Frisco Avenue
Memphis, TN 38114
USA

© 2001 Hunter Fan Co. 02/07/01



SUPPLEMENTARY INSTRUCTIONS FOR ATTACHING LIGHT KIT TO REMOTE CONTROL FAN



- Be sure power is turned off.
- Remove the switch housing from the fan by first removing the screw in the round hole in the switch housing top cover. Then loosen the remaining two screws so the switch housing can be twisted free of engagement with the switch housing top cover. Unplug the remote control module and remove the entire assembly from the fan.
- Remove the center plug from the bottom of the switch housing. Carefully feed the leads up through the center hole of the switch housing. Continue to feed the leads through the center hole of the circuit board in the remote control, being very careful not to damage the small components on the board. Bring the leads out the top of the remote control module.
- Attach the light kit to the switch housing according to the instructions supplied with the light kit.
- Connect the lead wires as shown in the illustration.
- Reinsert the electrical plug, then reinstall the switch housing / light kit assembly to the fan.
- Complete the installation by following the instructions supplied with the light kit.

INSTALLATION INSTRUCTIONS FOR LIGHT KITS TO FANS WITH REMOVABLE SWITCH HOUSINGS

CAUTION: Be sure all power is removed from the fan before attempting to install the light kit.

1. Remove the switch housing from the fan by loosening the three screws at the top of the housing and twisting the housing to disengage if necessary. Pull down on the switch housing to remove it from the fan. See Figure 1.

2. Unplug the wires. See Figure 2.

The switch housing can now be removed from the fan and taken to a convenient work site for attaching the light kit.

3. Loosen the two attachment screws on the bottom of the switch housing. Unscrew and discard the center plug. Feed the two wires from the light kit up through the center hole in the bottom of the switch housing. Attach the light kit fitter to the switch housing using the two attachment screws. Thread center post of light kit into center hole of switch housing, if appropriate.

4. Locate the switch housing wires marked for use with light kit. One of these is white and the other is black-with-white tracer. Each has a wire nut attached. Connect the white wire to the light kit white wire and connect the black-with-white tracer wire to the light kit black wire. Use the wire nuts to make connections.

5. Re-connect the plug and then re-attach the switch housing/light kit assembly to the fan. Follow the instructions supplied with your Light kit to complete the installation.

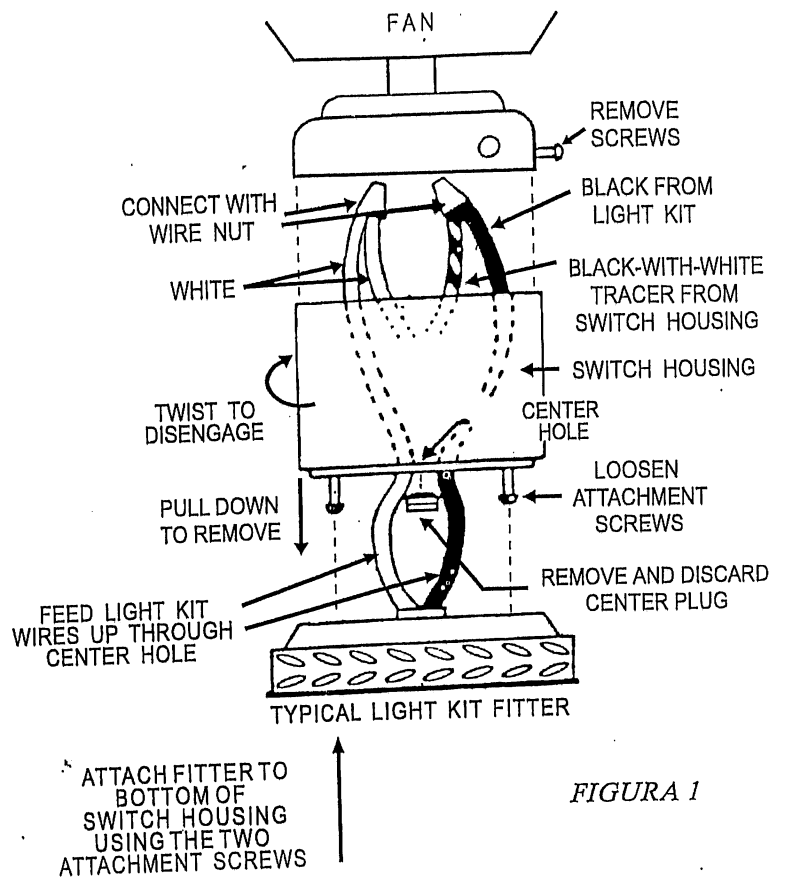


FIGURE 1

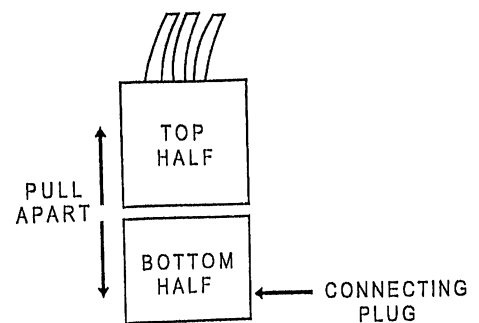


FIGURE 2